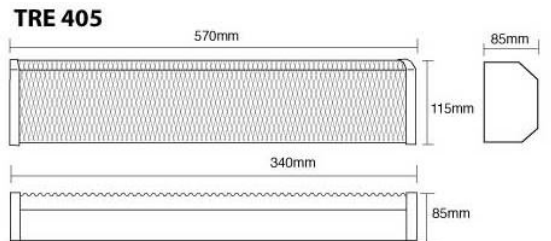
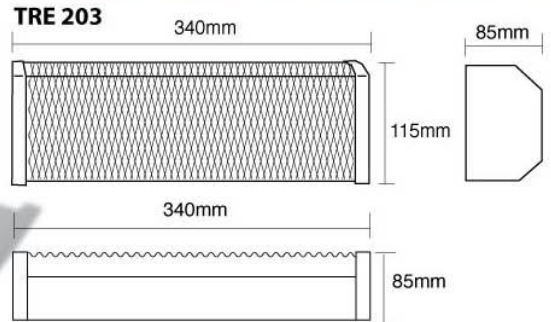
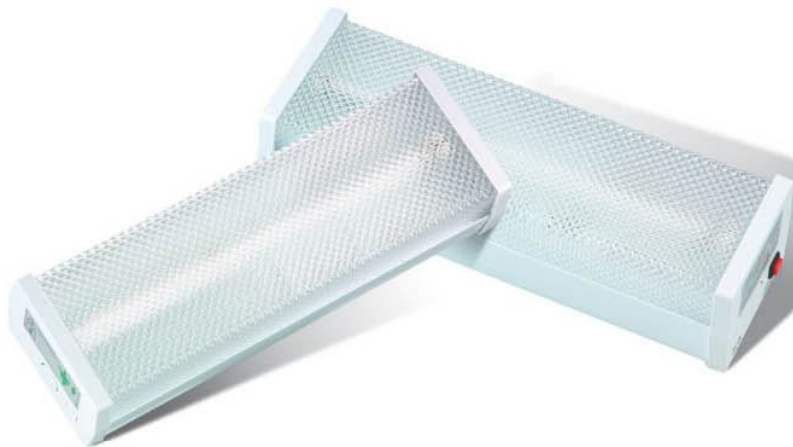




Box Up Emergency Light



	TRE 203	TRE 405
Output Brightness	: 105 Lux	278 Lux
Power Consumption	: 4.4 VA	5.87VA
Product Dimension	: L340 X W115 X H85 mm	L570 X W115 X H85 mm
Lamp Used	: Fluorescent Tube 1 x 8 watt	Fluorescent Tube 1 x 13 watt
Weight	: 1.1kg	1.4kg
Battery Type	: 5 x 1.2 AH Ni-MH battery	10 x 1.3AH Ni-MH battery
Input Voltage	: 230V +/- 10%, 50/60Hz	
Rated Duration (hours)	: 3 Hours	
Mode of Operation	: Non-maintained	
Charger	: Solid State Electronic Automatic	
Charging Monitor	: Red LED 5mm diameter	
Test Facility	: Micro Switch for independent testing	
Operating Temperature	: ta 40 °C	
Safety Feature	: Low voltage cut-off to prevent over-discharge of the battery Incoming AC fuse and Battery DC fuse	
Fitting Construction	: Aluminum casing finish in epoxy powder coating Using "clip-on" design for easy installation	
Diffuser	: Prismatic Polycarbonate Diffuser	
Mounting	: Wall or ceiling mounting	
Compliance	: Malaysia Standards MS 619	
Warranty	: 1 Year	

Note : Due to continuous development and improvement, our company reserve the right to change specification without notice



Quality Assured By Full SIRIM Licence
in Malaysia since 1992

- Approved by Director General of Fire Service in Malaysia
- Approved by Standard & Industrial Research Institute of Malaysia (SIRIM)
- Approved by Chief Electrical Inspector of Malaysia
- Complies fully with uniform Building By-Law Regulations in Malaysia