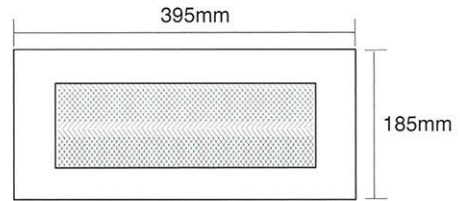
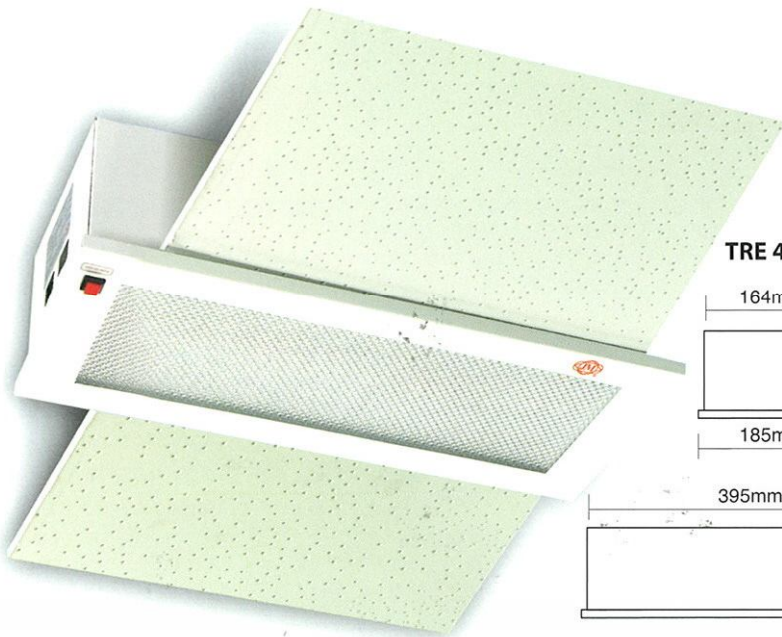
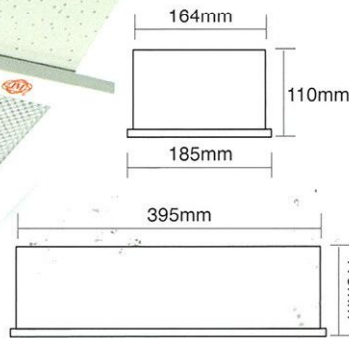




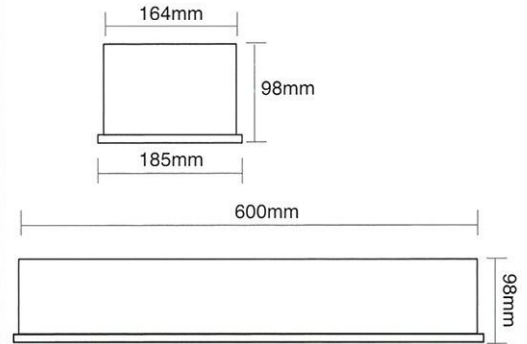
# Recess Emergency Light



**TRE 405 RC (PLC)**



**TRE 405 RC (FT)**



	TRE 405 RC (PLC)	TRE 405 RC (FT)
<b>Lamp Used</b>	: PLC Tube 1 x 13 watt	: Fluorescent Tube 1 x 13 watt
<b>Product Dimension</b>	: L 395 X W 185 X H 110 mm	: L 600 X W 185 X H 98 mm
<b>Weight</b>	: 1.9 kg	: 3.5 kg
<b>Battery Type</b>	: 10 x 1.3 AH Ni-MH battery	
<b>Output Brightness</b>	: 278 Lux	
<b>Power Consumption</b>	: 5.87 VA	
<b>Input Voltage</b>	: 230V +/- 10%, 50/60Hz	
<b>Mode of Operation</b>	: Non-maintained	
<b>Rated Duration</b>	: 3 hours	
<b>Charger</b>	: Solid State Electronic Automatic	
<b>Charging Monitor</b>	: Red LED 5mm diameter	
<b>Test Facility</b>	: Micro Switch for independent testing	
<b>Operating Temperature</b>	: ta 40 °C	
<b>Safety Feature</b>	: Low voltage cut-off to prevent over-discharge of the battery Incoming AC fuse and Battery DC fuse	
<b>Fitting Construction</b>	: Electro galvanised steel sheet with epoxy powder coating Using "clip-on" design for easy installation	
<b>Diffuser</b>	: Prismatic Diffuser	
<b>Mounting</b>	: Recess mount	
<b>Compliance</b>	: Malaysia Standards MS 619	
<b>Warranty</b>	: 1 Year	

Note : Due to continuous development and improvement, our company reserve the right to change specification without notice



Quality Assured By Full SIRIM Licence  
in Malaysia since 1992

- Approved by Director General of Fire Service in Malaysia
- Approved by Standard & Industrial Research Institute of Malaysia (SIRIM)
- Approved by Chief Electrical Inspector of Malaysia
- Complies fully with uniform Building By-Law Regulations in Malaysia