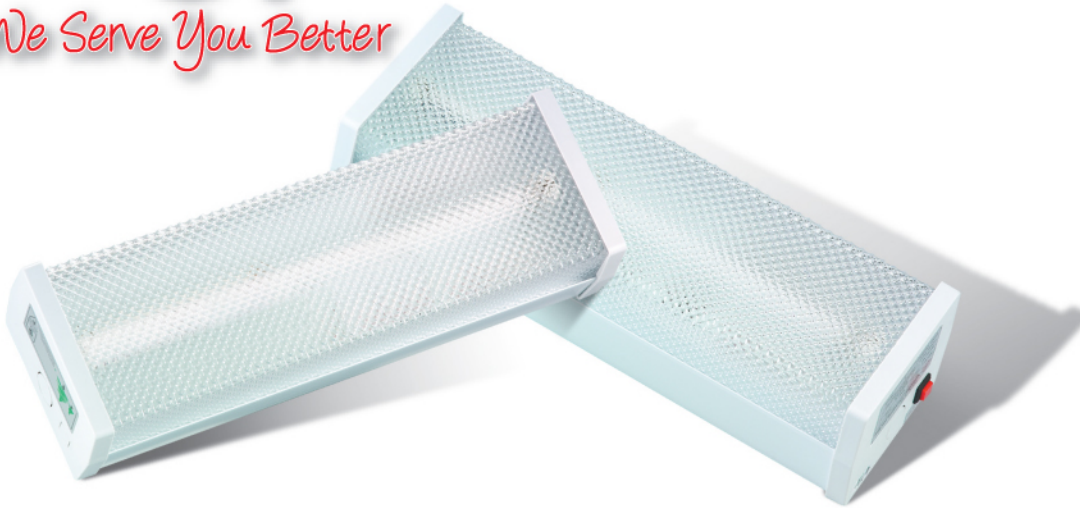




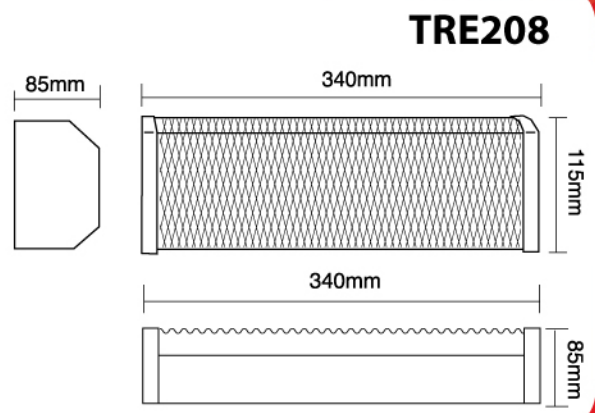
We Serve You Better



Box Up Emergency Light

TRE208

Mode of operation	: Non-maintained
Input Voltage	: 30V ± 10%, 50/60Hz
Rated Duration (hours)	: 3 hours
Battery Type	: High Temperature Nickel-Cadmium Battery
Lamp Used	: 1x8 Watt Fluorescent Tube
Power Consumption	: 4.8VA
Charger	: Solid State Electronic Automatic
Charging Monitor	: Red LED 5mm diameter
Test Facility	: Micro switch for independent testing
Operation Temperature	: ta40°C
Safety Feature	: Low voltage cut-off to prevent over discharge of the battery
Fitting Construction	: Electro galvanized steel sheet with epoxy powder coating
Diffuser	: Prismatic Acrylic Diffuser
Product Dimension	: L340mm X W115mm X H85mm
Mounting	: Wall or Ceiling mounting
Compliance	: Malaysia Standards MS619
Warranty	: 1 year
Weight	: 1.2kg



SIRIM

Quality Assured By Full SIRIM Licence
in Malaysia since 1992

- Approved by Director General of Fire Service in Malaysia
- Approved by Standard & Industrial Research Institute of Malaysia (SIRIM)
- Approved by Chief Electrical Inspector of Malaysia
- Complies fully with uniform Building By-Law Regulations in Malaysia

Note : Due to continuous development and improvement, our company reserve the right to change specification without notice